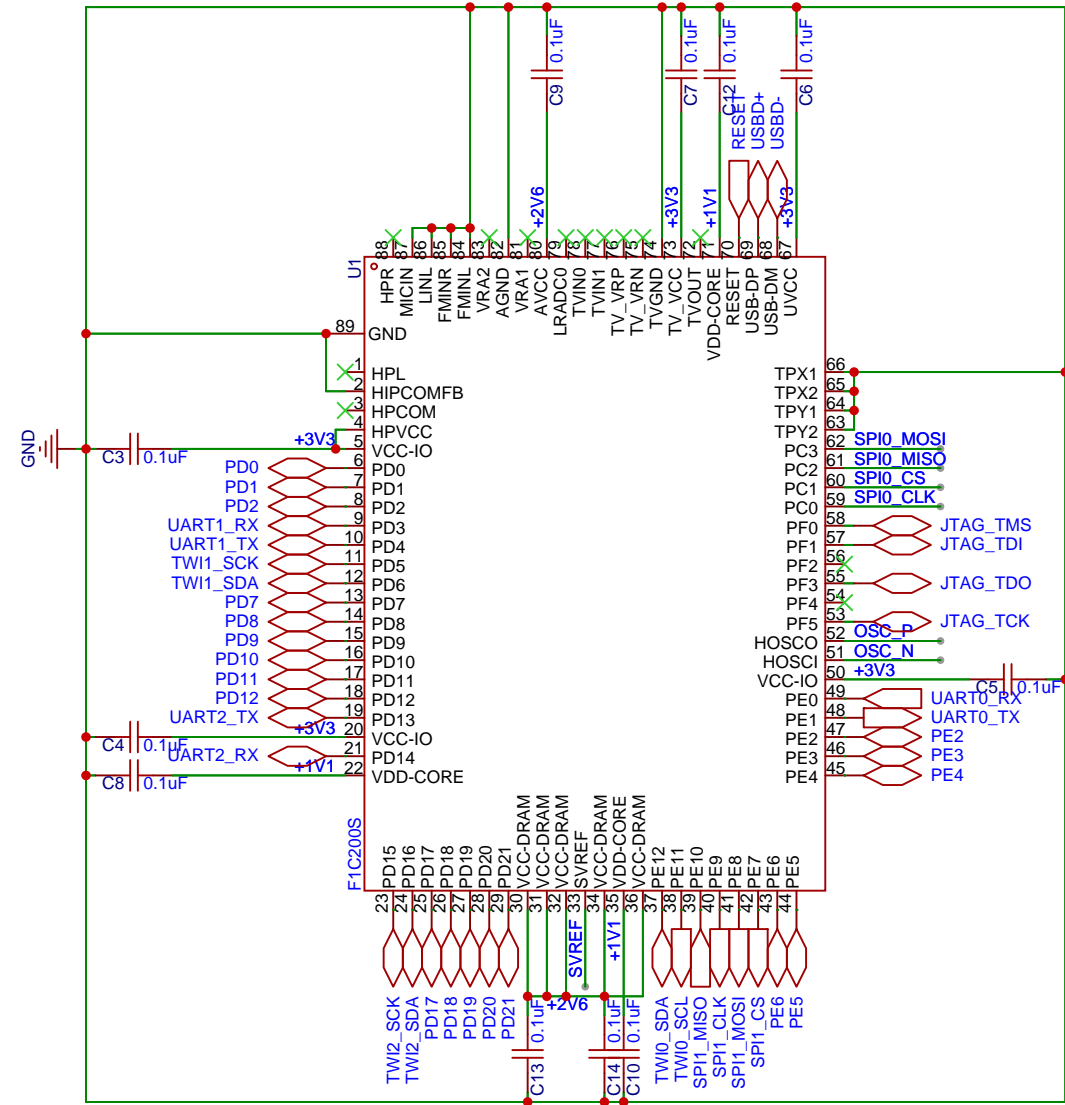
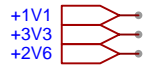


RT0402BRD0710KL



Schematic	Allwinner_F1C200S			Update Date	2024-05-27				
				Create Date	2024-05-26				
Page	SoC			Part Number					
Drawn	ArmWheel								
Reviewed									
				VER	SIZE	PAGE	1	OF	3