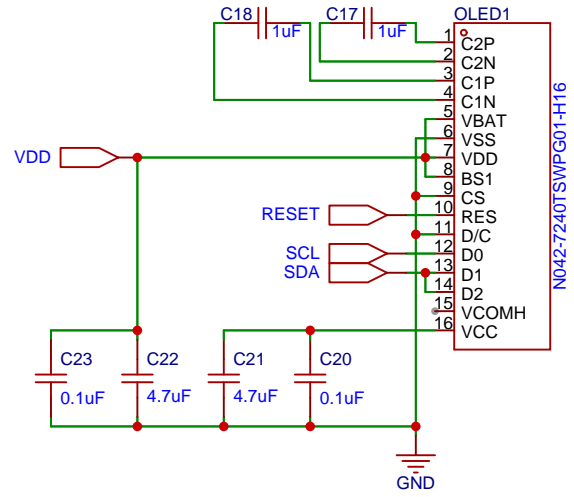


Maybe make VDD to the display controlled via PMIC?



Schematic	OLED_SSD1315		Update Date	2024-05-27
			Create Date	2024-05-26
Page	P1		Part Number	
Drawn		ArmWheel		
Reviewed				
		VER	SIZE	PAGE 1 OF 1